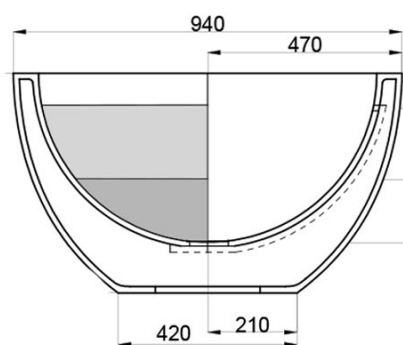
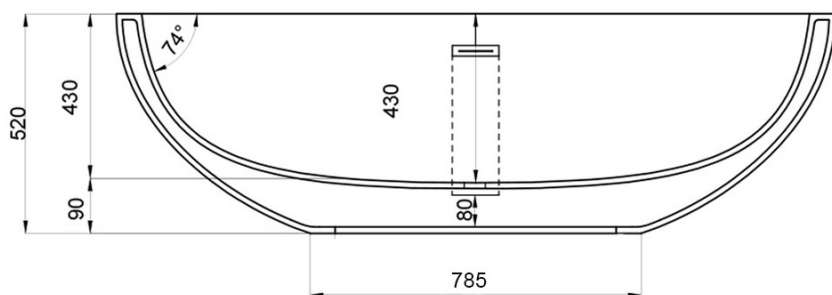
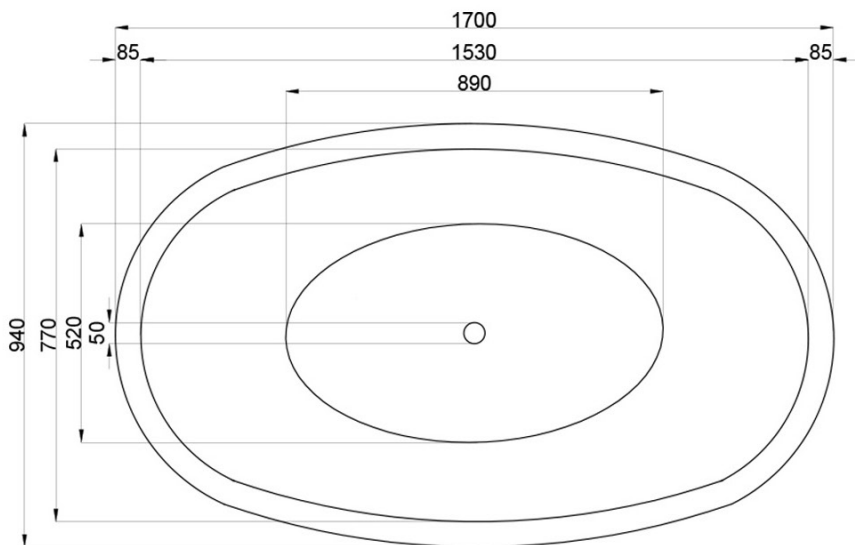




# JEE-O angela bath specifications



Ltrs	Kgs
250	340
100	190
0	90



Note :  
when using the JEE-O bath siphon in this bathtub make sure to add an additional minimum recess of 3 cm under the bath

Article code:

**SBM041**

White DADOquartz

Dimensions:

L 170 x W 94 x H 52 cm

Bathtub rim:

8,5 m

Net weight:

90kg

Water capacity:

250L

Material:

DADOquartz - Scratch & abrasion resistant

Note: cast products are subject to size variation of +/- 5 %

Waste diameter:

50mm

Dimension package:

L 179 x W 98 x H 68 cm

Package weight:

50kg

UV stability:

6 / BSEN438

25 year warranty

HS code:

69109000

European Standard:

NEN-EN 14516-2015

