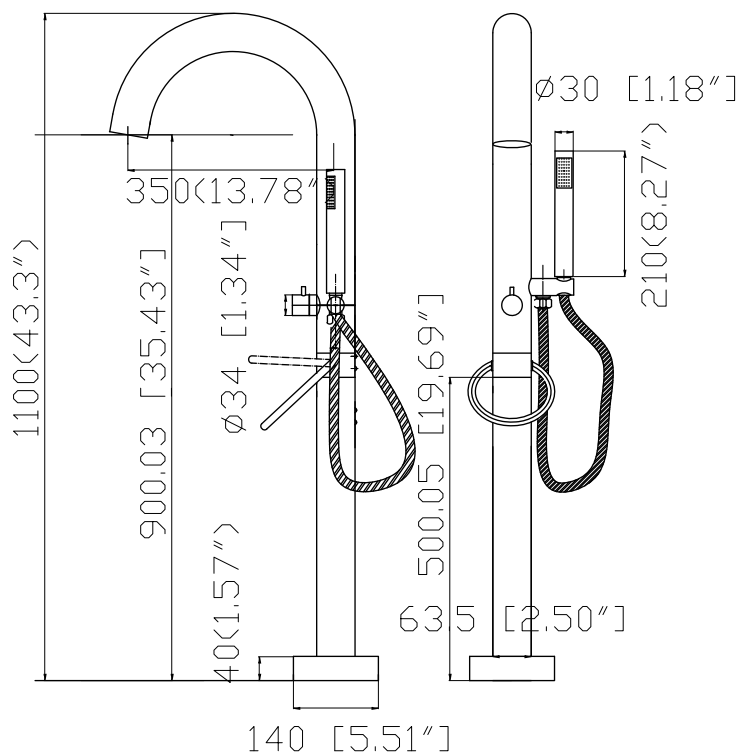
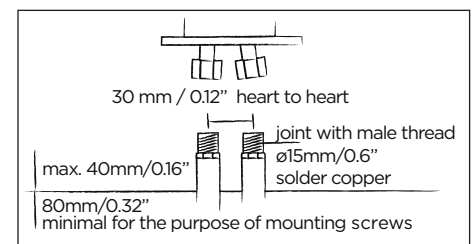




JEE-O original bath specifications



Note:
UV radiation and extreme temperature can affect the color and structure of the JEE-O original surface.



Article code: **100-3110** (brushed)
100-3111 (polished)

Material: Stainless Steel r304
Cartridge: Sedal ceramic mixing mechanism (35mm)
Ceramic diverter mechanism

Cleaning: JEE-O protect
Connection: nylon^(out)/epdm⁽ⁱⁿ⁾ flexhose with brass swivel

Flexhose: 150 cm length

Flow at water of 38°C / 100.4°F: 10l / 2.6gal p/m at 3bar pressure

Dimension package: L 68 x W 53 x H 21 cm

Total weight: 10.0 kg / 22.1 lbs
Package weight: 1.5 kg / 3.3 lbs

Placing on a water-tight floor

2 year warranty

HS code: 8481801900
CE-EN 200-2008

