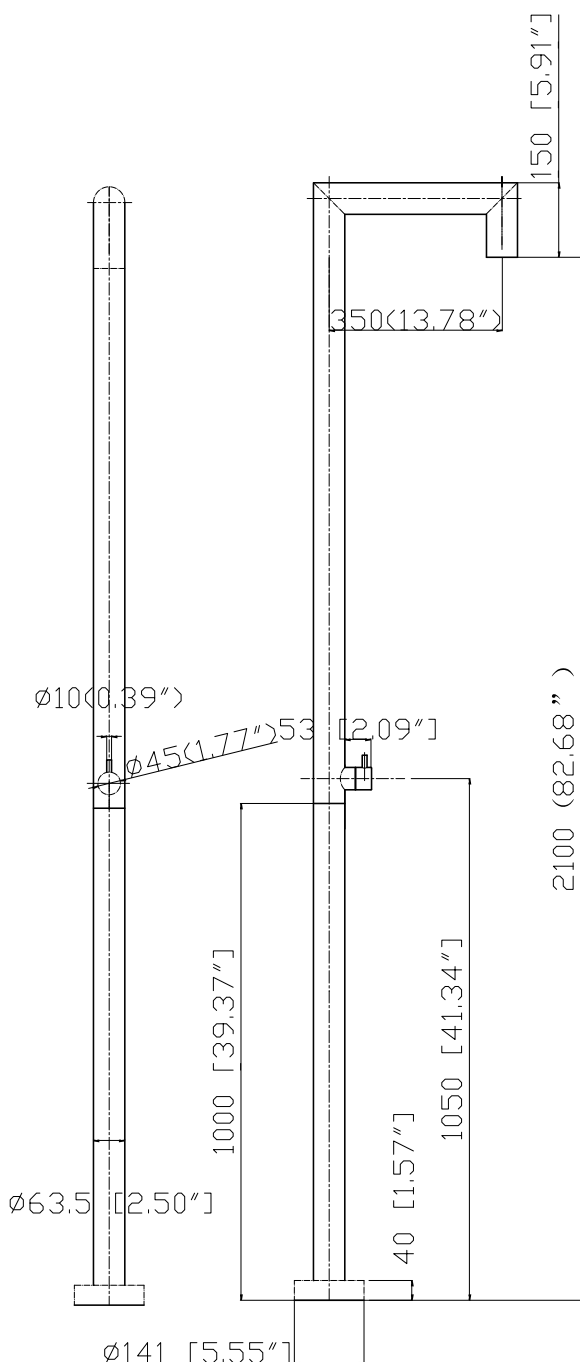
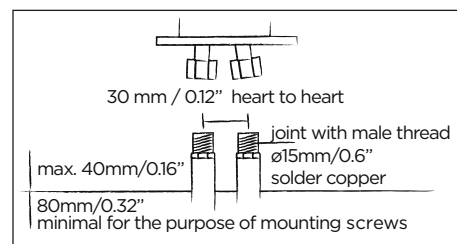




# JEE-O original shower 04 specifications



Note:  
UV radiation and extreme temperature can affect the color and structure of the JEE-O original surface.



Article code: **100-6400** (brushed finish)  
**100-6401** (polished finish)

Material: Stainless Steel r304  
Cartridge: Sedal progressive

Cleaning: JEE-O protect  
Connection: nylon<sup>(out)</sup>/epdm<sup>(in)</sup> flexhose with brass swivel

Flow at water of 38°C / 100.4°F: 12l / 3.2gal p/m at 3bar pressure

Dimension package: L 158 x W 18 W 54 x H 16 cm

Weight: 11.2 kg / 24.7 lbs  
Package weight: 2.0kg / 4.4 lbs

Placing on a water-tight floor

2 year warranty

HS code: 84818011900