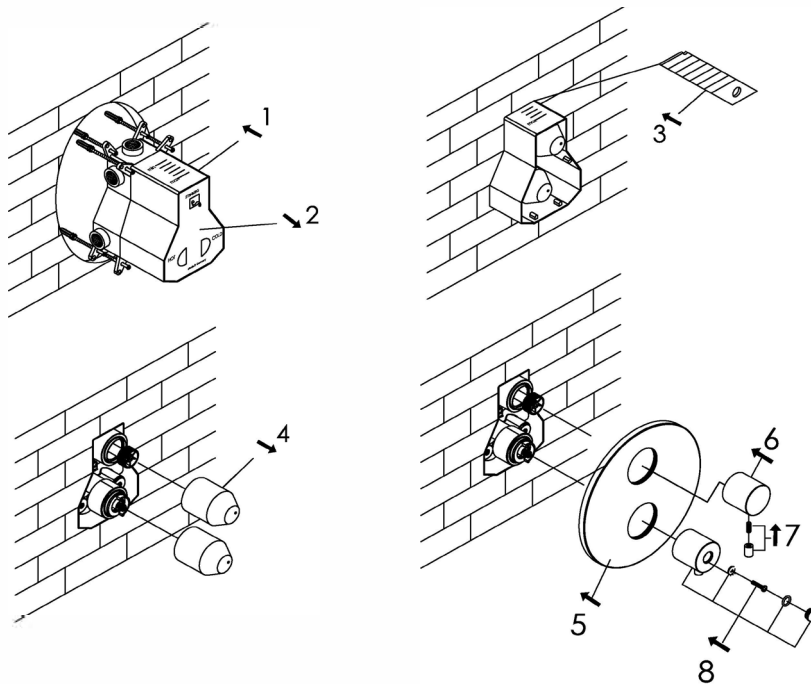
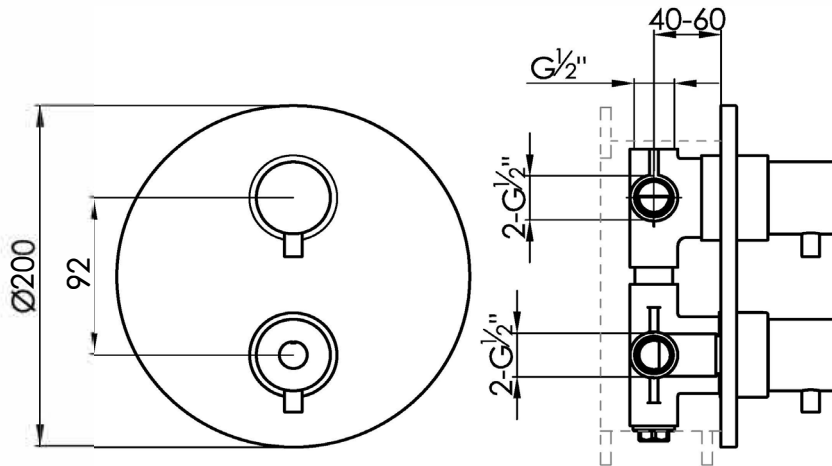




# JEE-O slimline mixer TH specifications



Note:  
UV radiation and extreme temperature can affect the color and structure of the surface of the structured black version

Article code:

**800-2300**

● brushed stainless steel

**800-2303**

● structured black stainless steel

Material:  
Cartridges:

Stainless Steel r304  
**Vernet mixing mechanism (thermostatic), item code 005-0501** and Fluhs ceramic diverter mechanism, item code **005-0601**

Cleaning:

JEE-O protect

Flow at water of 38°C / 100,4°F: N/A

Connection:

2 x G ½" (ø15mm / 0.6") in  
3 x G ½" (ø15mm / 0.6") out  
British Standard Pipe (BSP)

Thread:

Dimension package:  
Total weight:  
Package weight:

L 21 x W 20 x H 16,5 cm  
3.3 kg  
0.3 kg

2 year warranty

HS code:

84818011900