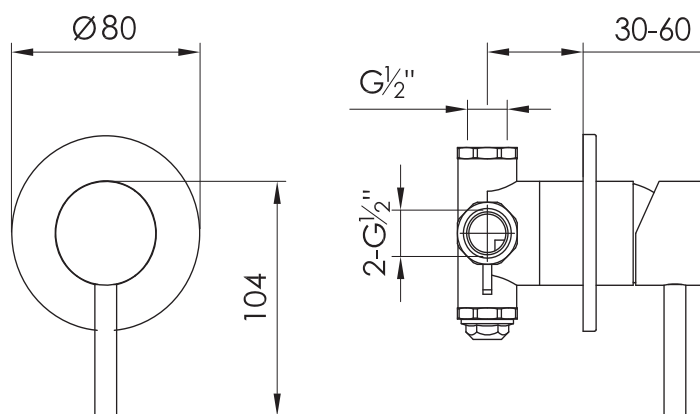




JEE-O slimline mixer O1 small specifications



Note:
UV radiation and extreme temperature
can affect the color and structure of the
surface of the **structured BLACK** version.

Article code:	800-2400 ● brushed stainless steel	Connection: Thread:	3 x G 1/2" (ø15mm / 0.6") British Standard Pipe (BSP)
	800-2403 ● structured black stainless steel	Dimension package: Total weight: Package weight:	L 23 x W 15 x H 16 cm 1.26 kg 0,27 kg
Material: Cartridge:	Stainless Steel r304 Sedal ceramic mixing mechanism (40mm), item code 005-0102	2 year warranty	
Cleaning:	JEE-O protect	HS code:	84818011900
		Approvals:	SLS BS EN 817