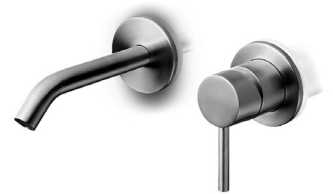
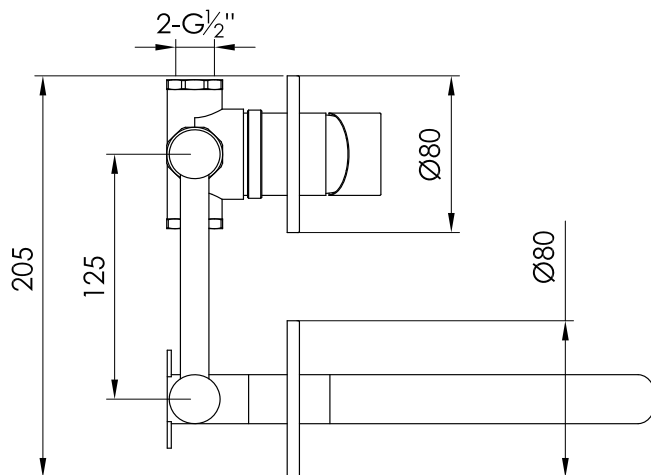
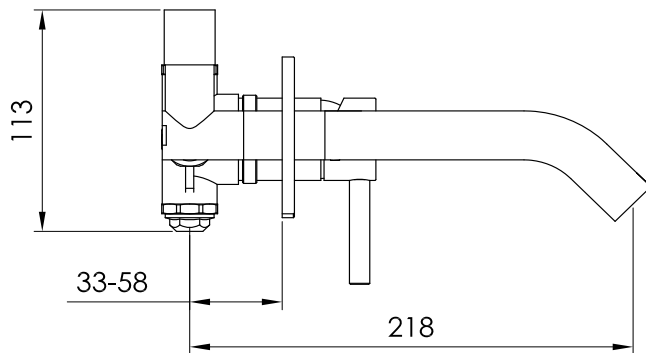




JEE-O slimline wall basin mixer specifications



Note:
UV radiation and extreme temperature
can affect the color and structure of the
surface of the structured black version.

Article code:

800-1500

● brushed stainless steel

800-1503

● structured black stainless steel

Material:

Stainless Steel r304

Cartridge:

Sedal ceramic mixing mechanism (35mm),

item code **005-0101**

Cleaning:

JEE-O protect

Flow at water of 38°C/100,4°F:

11l /2.9gal p/m at 3bar presure

Connection:

Thread:

2 x G 1/2" (ø15mm / 0.6")
British Standard Pipe (BSP)

Dimension package:

Total weight:

Package weight:

L 26 x W 27 x H 17cm
2.2 kg
0.82 kg

2 year warranty

HS code:

Approvals:

84818011900

SLS BS EN 817