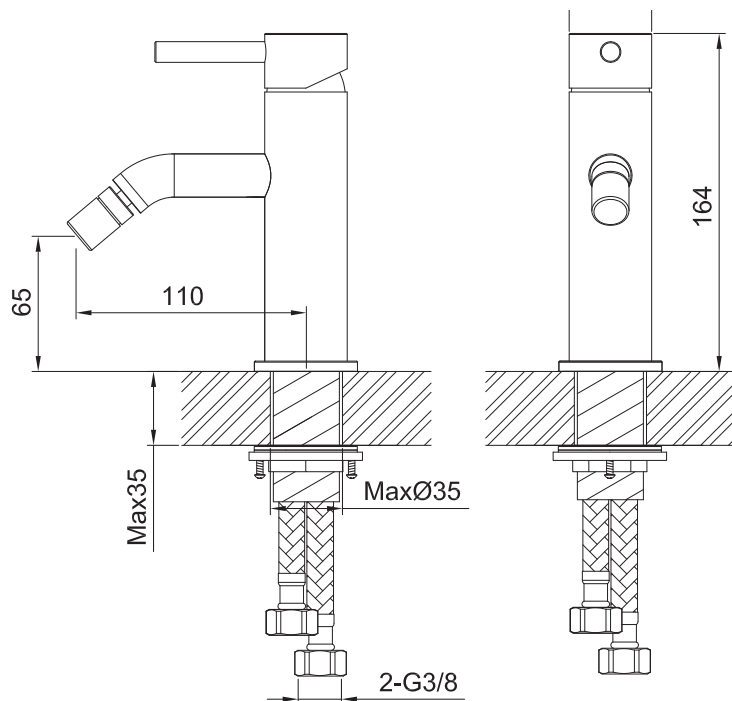




JEE-O slimline bidet specifications



Note:
UV radiation and extreme temperature
can affect the color and structure of the
surface of the structured black version

Article code:

800-4100

● brushed stainless steel

800-4103

● structured black stainless steel

Material:
Cartridge:

Stainless Steel r304
Sedal ceramic mixing mechanism (35mm),
item code **005-0101**

Cleaning:

JEE-O protect

Flow at water of 38°C /100,4°F:

10l /p/m at 3bar presure

Connection:

2 x G 3/8" (ø10mm / 0.4")
nylon^(out)/epdm⁽ⁱⁿ⁾ flexhose
with brass swivel
British Standard Pipe (BSP)

Thread:

Dimension package:
Total weight:
Package weight:

L 38 x W 23 x H 8,5 cm
1,42 kg
0,30 kg

2 year warranty

HS code:

84818011900