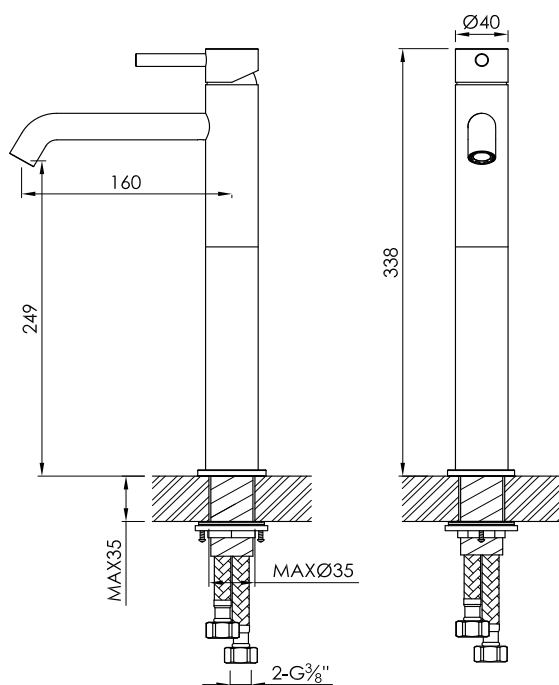




JEE-O slimline basin mixer high specifications



Note:
UV radiation and extreme temperature
can affect the color and structure of the
surface of the structured black version.

Article code:

800-1750

● brushed stainless steel

800-1753

● structured black stainless steel

Material:

Stainless Steel r304

Cartridge:

Sedal ceramic mixing mechanism (35mm),
item code **005-0101**

Cleaning:

JEE-O protect

Connection:

2 x G 3/8" (ø10mm / 0.4")
nylon^(out)/epdm⁽ⁱⁿ⁾ flexhose
with brass swivel
British Standard Pipe (BSP)

Thread:

Dimension package:
Total weight:
Package weight:

L 51 x W 23,5 x 8,5cm
2.5 kg
0.4 kg

2 year warranty

HS code:

84818011900