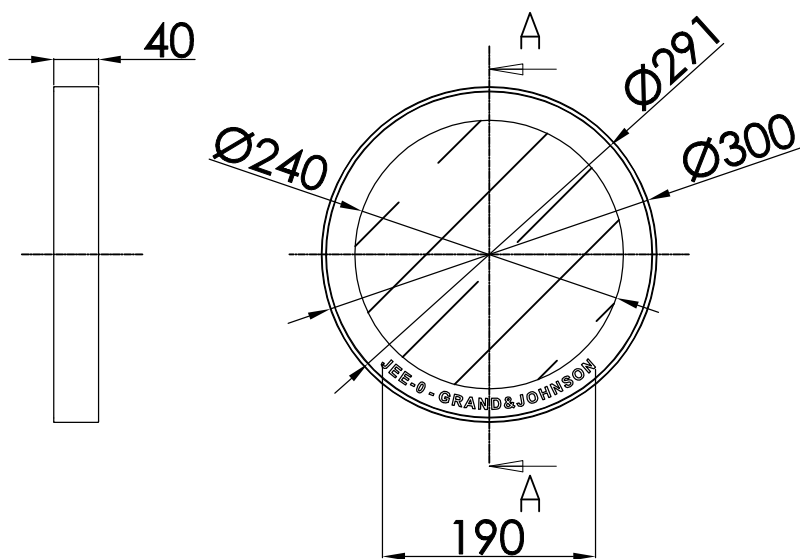




JEE-O soho mirror 30 specifications



Note:
UV radiation and extreme temperature
can affect the color and structure of the
JEE-O soho wall surface.

Article code:

- 701-0110**
● Brushed stainless steel - **RAW**
- 701-0112**
● Hammercoated black matt
- 701-0118** green RAL 6003
● Powder coating matt
- 701-0119** grey RAL 7040
● Powder coating matt

Dimension package: L33,5 x B33,5 x H7,5 cm
Total weight: 1,86 kg
Package weight: 0.21 kg

2 year warranty

Material:
Coating:

Stainless Steel r304
1.5 Electro powder spray

Cleaning:

soapwater or alcohol

HS code:

70099200