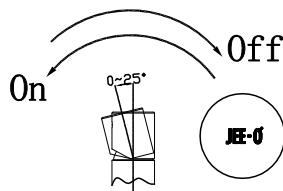
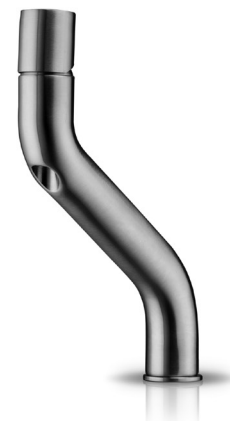
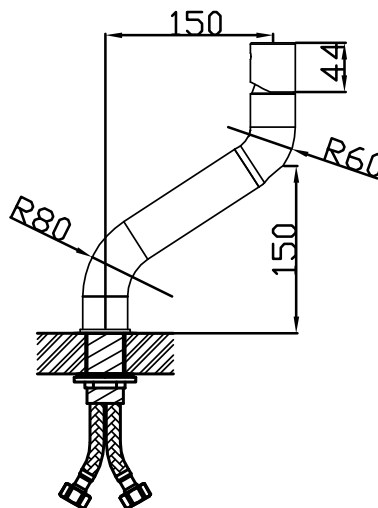
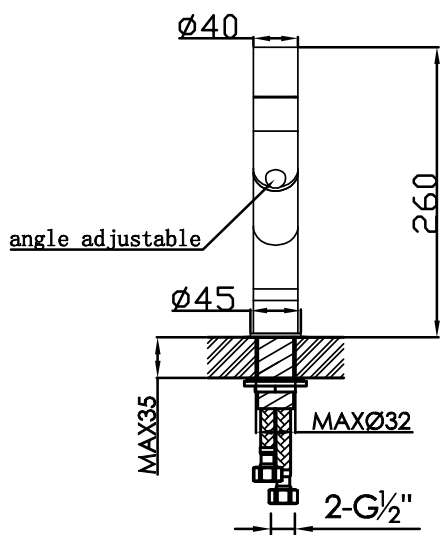




JEE-O flow basin low specifications

JEE-O by DADO



Article code:

300-1700

● brushed stainless steel

Material:

Stainless Steel r304

Cartridge:

Sedal ceramic mixing mechanism (35mm), item code **005-0101**

Cleaning:

JEE-O protect

Flow at water of 38°C:

7L p/m at 3bar pressure

Connection:

2 x G 1/2" (ø15mm / 0.6")
nylon^(out)/epdm⁽ⁱⁿ⁾ flexhose
with brass swivel
British Standard Pipe (BSP)

Thread:

Dimension package:

L 45 x W 27 x H 14 cm

Total weight:

1.79 kg

Package weight:

0.58 kg

2 year warranty

HS code:

84818011900