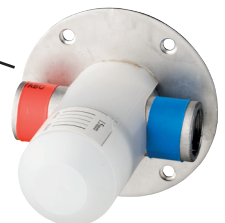
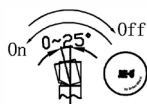
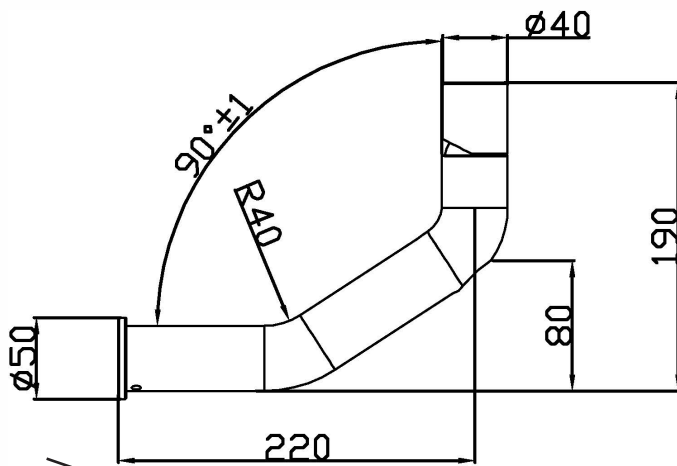




JEE-O flow wall basin mixer specifications



Article code:	500-1500 ● brushed stainless steel	Connection: Thread:	2 x G 1/2" (ø15mm / 0.6") British Standard Pipe (BSP)
Material:	Stainless Steel r304	Dimension package:	available soon
Cartridge:	Sedal ceramic mixing mechanism (35mm), item code 005-0101	Total weight:	available soon
Cleaning:	JEE-O protect	Package weight:	available soon
Flow at water of 38°C:	7L p/m at 3bar presure	2 year warranty	
		HS code:	84818011900