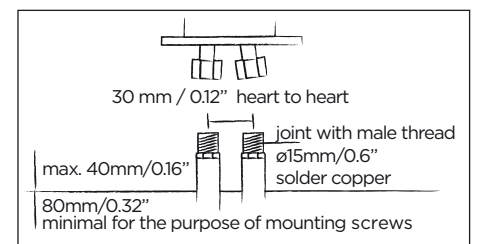
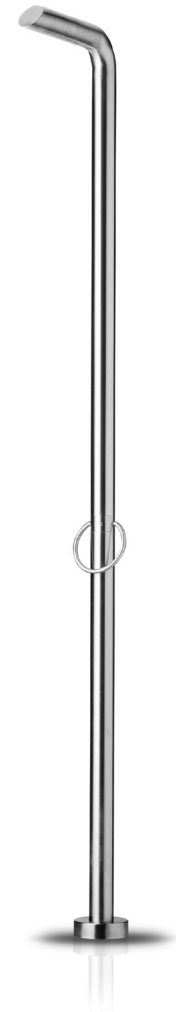
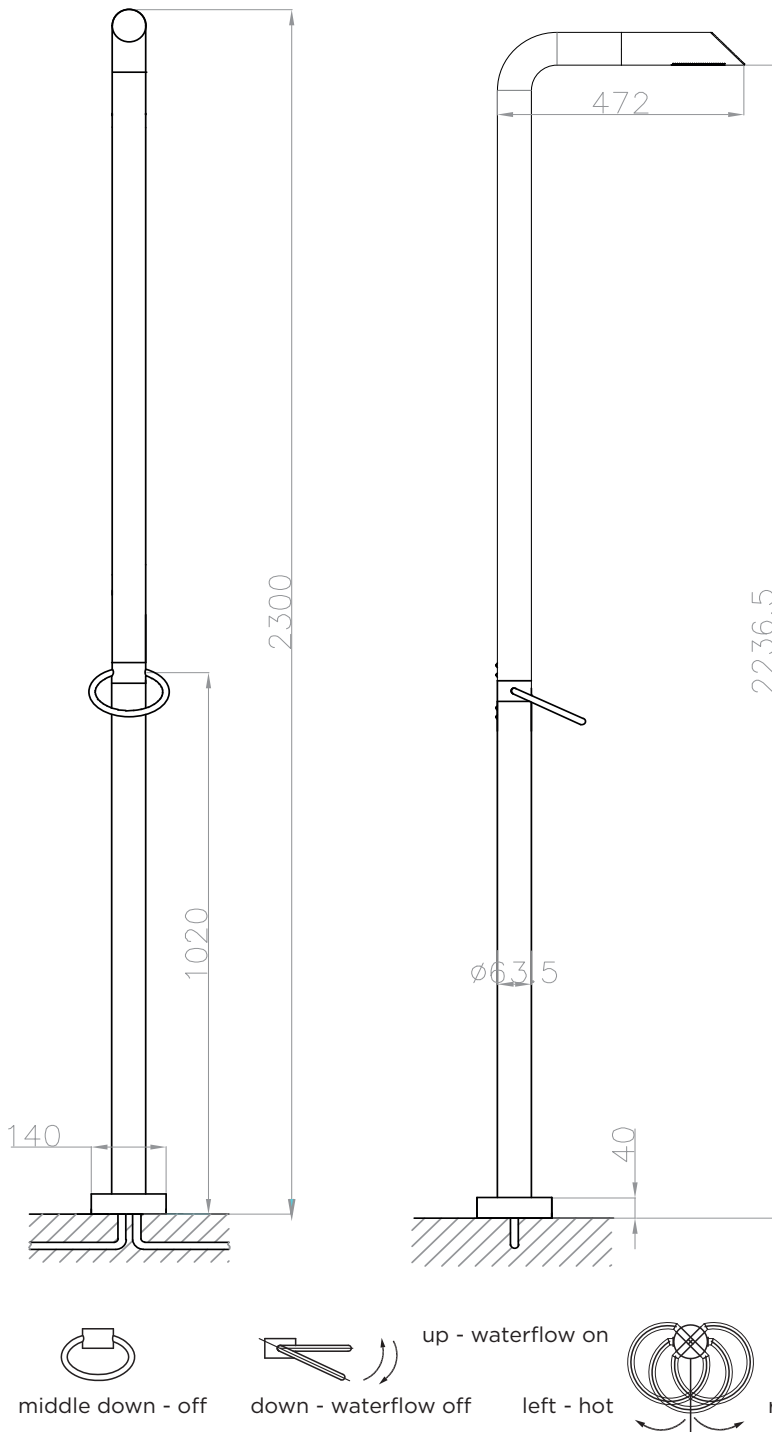




# JEE-O pure shower 01 specifications

by Lammerit Moerman



Article code:

**300-6100**

● brushed stainless steel

**300-6101**

● polished stainless steel

Material:

Stainless Steel r304

Cartridge:

Sedal ceramic mixing mechanism (35mm), item code **005-0101**

Cleaning:

JEE-O protect

Flow at water of 38°C / 100,4°F:

12L p/m at 3bar pressure

Connection:

2 x G 1/2" (ø15mm / 0.6") nylon<sup>(out)</sup>/epdm<sup>(in)</sup> flexhose with brass swivel British Standard Pipe (BSP)

Thread:

Dimension package:

L 158 x W 18 W 54 x H 16 cm

Total weight:

11.5 kg

Package weight:

2.0 kg

Placing on a water-tight floor

2 year warranty

HS code:

84818011900

Approvals:

SLS BS EN 817